



Tool Mart Supply Inc.
16745 1/2 Parkside
Ave
Cerritos, CA 90703

O: 562-261-5366
P: 562-207-8404

Cutter Diameter (D1):

Overall Length (L1):

Length of Flute (L2):

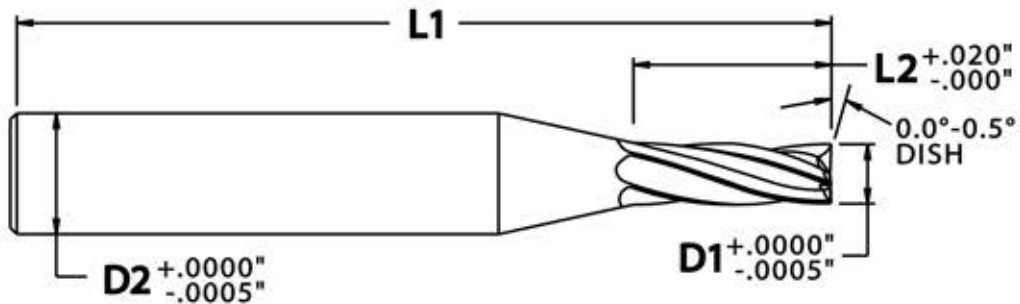
Flutes:

Shank Diameter (D2):

Workpiece Material:

Quantity (6 Piece Minimum):

Comments:



Contact:

Company:

Address Line 1:

Address Line 2:

City, State Zip:

Country:

Phone / Fax:

Email: