



Tool Mart Supply Inc.  
16745 1/2 Parkside  
Ave  
Cerritos, CA 90703

O: 562-261-5366  
P: 562-207-8404

Cutter Diameter (D1):

Shank Diameter (D2):

Included Angle (A):

Overall Length (L1):

Length of Cut (L2):

Flutes:

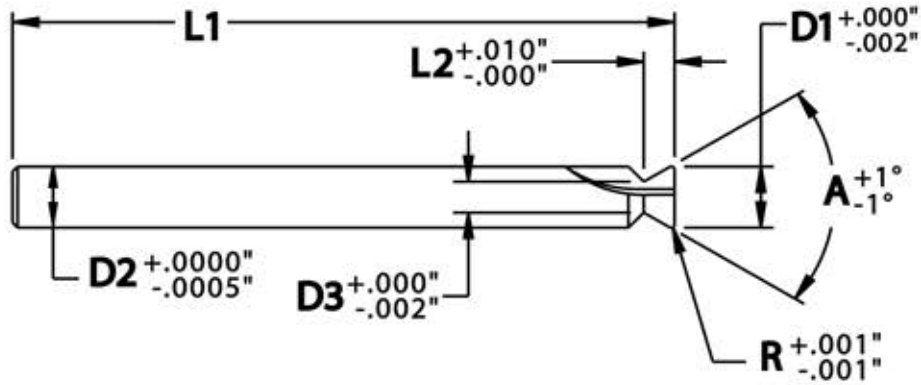
Radius (R):

Workpiece Material:

Neck Diameter (D3):

Quantity (6 Piece Minimum):

Comments:



Contact:

Company:

Address Line 1:

Address Line 2:

City, State Zip:

Country:

Phone / Fax:

Email: